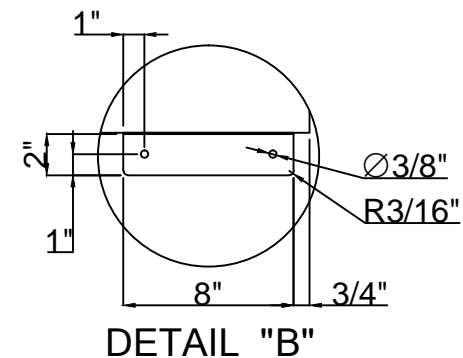
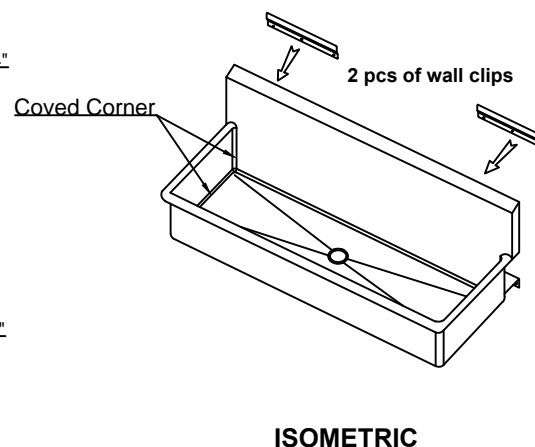
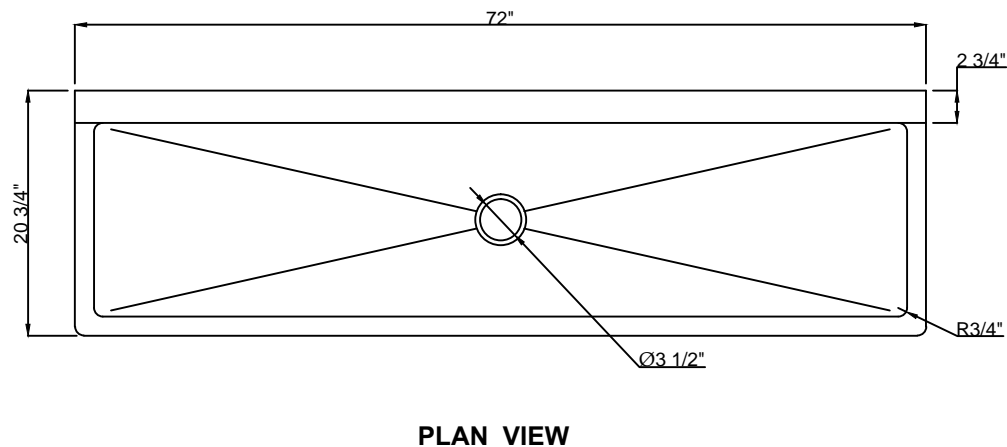
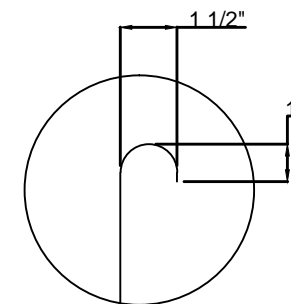


● 16GA. 304 Stainless steel Construction.



DRAWIN FOR :	MAT.	TOP : 16GA. 304S/S. BASE :	DATE	REVISIONS	<h1>Tarrison Products Ltd.</h1>
REF. NO :	REQ'D/ITEM :				
ITEM NAME : Trough Sink to be Coved Corner	DATE : Nov / 29 / 2021				
PROD. NO. : TA-TS2072CC-KIT	BY :				
SCALE: 1/2" =1'-0"	CHECKED BY :				